



iGPS-M Pro USER' S MANUAL

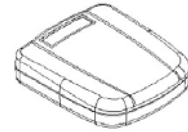


iGPS-M Pro Introduction	3
iGPS-M Pro Key Feature	3
Possible Application	3
Installation Guide	4
Familiarize your iGPS-M Pro	6
Specifications	6
Interface	7
Water-proof housing with magnet on the bottom	7
LED Light	8
Troubleshooting	8



iGPS-M Pro Introduction

The iGPS-M Pro is an outstanding high sensitivity GPS receiver. Its excellent performance easily conquers the most difficult tasks. In addition, it provides various functions to meet customers' demand.



iGPS-M Pro employs powerful GPS solution. It provides marvelous navigation performance under dynamic conditions in areas with limited sky view like urban canyons. It also has high sensitivity for weak signal operation without compromising accuracy. Undoubtedly, iGPS-M Pro is the best choice for you.

Market Leading System Performance

Ultra-low power consumption makes iGPS-M Pro the best GPS on the market. Nevertheless, there are no compromises in performance. The iGPS receiver has a navigation sensitivity making it applicable even for extremely demanding applications and environments.

iGPS-M Pro Key Feature

- Thin module form factor - 64mm(L) x 57mm(W) x 16mm(H)
- 32-CH. GPS Technology
- Very Fast TTFF
- Sensitivity: -158dBm (Tracking)
- NMEA0183 V3.01 protocols
- Accurate 1PPS timing output (optional)

Possible Application

- Mapping devices for PC & Pocket PC
- Personal Navigation or touring devices
- AVL and Location-Based service system
- Data logging for marine Navigation
- Support lpps output for timer
- Tracking devices/system
- Mileage Management
- Fleet Management
- Car Navigation



Installation Guide

Step I: Check your iGPS-M Pro package

Please check the iGPS-M Pro package. If any items are missing or damaging, please contact our distributor immediately.

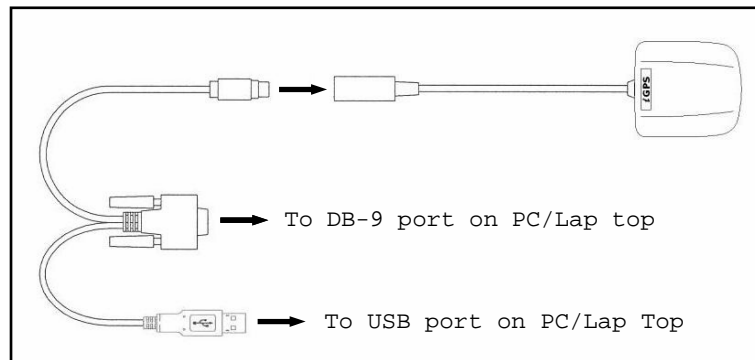
The standard package of iGPS-M Pro contains:

- iGPS-M Pro Receiver
- CD ROM
- **Y cable (optional)**

With different brand/type of handheld device, the iGPS-M Pro receiver needs to use different type of car charger.

Step II: Connect iGPS-M Pro receiver to PC/Lap top or handheld device

- For RS232 type: please follow the illustration as below.



- For USB type: please follow the illustration as below. Before the USB connector plugs in your PC/Lap top, please have your USB Driver Installation ready.
- Remember to plug in the USB connector after your PC/Lap top started properly. Otherwise, your PC/Lap top operating system might judge iGPS-M Pro as a mouse and affect the normal operation.



To USB port on PC/Lap top



Step III : Check if the LED is on.

Once your PC/Lap top or car charger supplies power, the iGPS-M Pro receiver should shine on the LED. At meantime, the LED will be flashing and it means iGPS-M Pro is fixed, enable the positioning function.

iGPS-M Pro USER' S MANUAL



Familiarize your iGPS-M Pro

Specifications

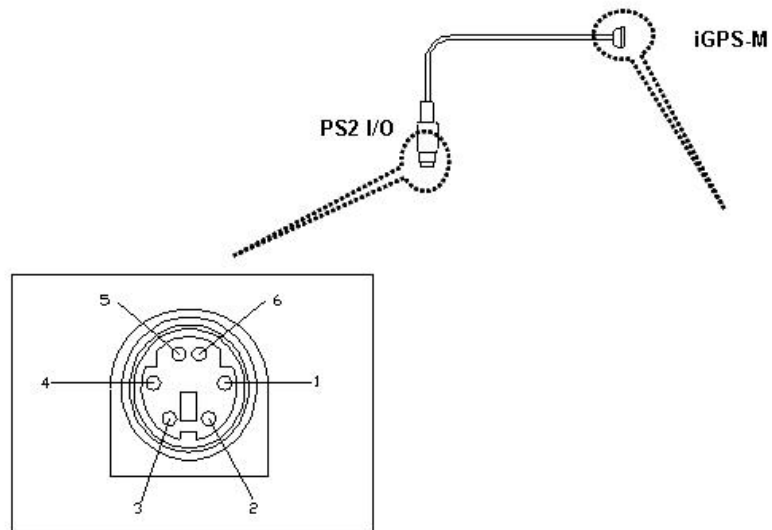
GPS Technology	MTK 32 channels
Sensitivity	-158 dBm (tracking)
Update Rate	1Hz
Accuracy	Position: Without aid: 3.0 m 2DRMS , < 3m CEP(50%) without SA Velocity: Without aid: 0.1 m/s Time: 50ns RMS
Acquisition Time (Cold/Warm/Hot Start)	36/33/1 sec
Reacquisition	1 sec
Dynamics	Altitude: 18000m max. Velocity: 515m/sec Vibration: 4G max.
DGPS	WAAS, EGNOS Enable
Operating Temperature	-30°C to +85°C
Storage Temperature	-45°C to +90°C
Operating Humidity	5% to 95% non condensing
Primary Power	+5V~7.5V DC
Power Consumption	20mW @3.0V
Interface	PS2 or USB
Protocol	NMEA 0183 v3.01,9600 bps
Antenna	Internal passive antenna
NMEA Message	GGA, GLL, GSA, GSV, RMC, and VTG
Dimension	64mm(L) x 57mm(W) x 16.54mm(H)



Interface

1. PS2 interface

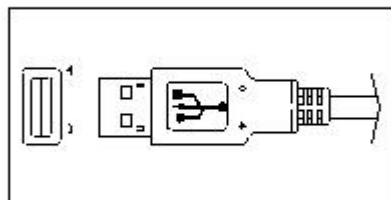
As shown in the illustration on the right, the length of the wire on iGPS-M Pro receiver is 2 meters. There is a PS-2 connector for the connection to PC/Lap top or handheld device. The pin assignment is shown below.



1.1 PS2 female cable definition

Pin	Signal Name
	RS-232
1	RS232 TX
2	+5VDC
3	NC
4	Ground
5	1 PPS (optional)
6	RS232 RX

2. USB interface



Water-proof housing with magnet on the bottom

There are 4 magnets on the bottom side of iGPS-M Pro receiver for attaching on your car. The housing of iGPS-M Pro receiver has waterproof, it can avoid the water permeates



your iGPS-M Pro receiver while you attach it outside of the car.

LED Light

There is an LED light near the output cable on the back of iGPS-M Pro receiver. When the iGPS-M Pro supplied 5V DC power, the LED will be on. It means your PC/Lap top or car charger start to supply power to iGPS-M Pro receiver.

Troubleshooting

When your iGPS-M Pro receiver could not operate, please follow the instruction to do the troubleshooting as below.

1. iGPS-M Pro receiver does not shine on the LED
 - It means iGPS-M Pro does not have power supply. Please check if the connector plugs in properly as the step II.
2. iGPS-M Pro receiver's LED is flashing, but the connection between iGPS-M Pro receiver and the E-map can not be established. Please make sure the settings of COM Port Number and Baud rate are correct.
 - Most of E-map provides scan function to search COM Port. Please scan it for the correct COM Port number that iGPS-M Pro receiver is utilizing.
 - The default Baud rate is 9600. For COM port, please go to the MS Windows' device manager to check the correct COM port first.
 - If a USB cable is used to connect to PC/Lap top, please make sure the UBS driver is installed successfully.